

**COMPACT
NIMBLE
EFFICIENT**

MISTRAL2



MISTRAL2 STD GE

2-055 • 2-060

Landini

Passion for Innovation.



LANDINI MISTRAL2, THE ULTIMATE COMPACT TRACTOR

Boasting a tradition of more than 130 years, Landini tractors are highly appreciated all over the world. The new **Mistral2** offers unrivalled performance and environmental friendliness in a compact package, confirming once again the outstanding quality of Landini specialty tractors.

Compact and nimble, the **Mistral2** provides excellent manoeuvrability and reduced soil compaction, making it ideal for orchard and vineyard work as well as for vegetable farming, greenhouse operation and overhead trellis systems. Also, its small size and agility make the **Mistral2** a great choice for municipal applications such as maintenance of green spaces, snow removal and salt spreading, while its light footprint helps protect the turf on golf courses, parks and gardens.

The new **Mistral2** from Landini delivers high performance and ease of handling within a compact, lightweight package for maximum comfort and ease of operation. Powered by Kohler KDI 1903 TCR engines that deliver 49 and 57 hp and provide maximum torques of 180 and 200 Nm already at 1200 rpm, the **Mistral2** combines powerful, efficient and eco-friendly performance with fuel economy while meeting Stage V emissions regulations. With a minimum height from the ground of only 1230 mm for the STD version and 1130 mm for the GE version, the **Mistral2** boasts the lowest bonnet in its class; this

MISTRAL2



HIGHLIGHTS

- With the lowest bonnet and steering wheel in its class, only 1130 mm from the ground on the GE version, the **Mistral2** is ideal for vegetable farming, greenhouse operations and overhead trellis systems.
- With a minimum overall width of just 1203 mm, the **Mistral2** moves easily between narrow rows.
- Available in two versions: ROPS STD or GE and Cab STD.
- Excellent weight distribution and low centre of gravity for maximum stability and safety on hillsides and sloping ground.
- The Argo Tractors transmission with four gears in three ranges and synchro shuttle provides a top speed of 30 km/h. A creep speed unit is available as an option.
- Front 4WD axle with electrohydraulically controlled differential lock.
- The Kohler three-cylinder turbo engine with aftercooler and common rail injection system provides a maximum torque of 200 Nm already at 1200 rpm and up to 37% torque backup for fast load response both in the field and on the road.
- With power ratings of 49 hp and 57 hp, the **Mistral2** is the most powerful Mistral tractor ever produced.

makes for enhanced visibility to the front and easy operation in low-clearance conditions. Featuring a tight turning radius and a wheelbase of only 1790 mm, the shortest in this tractor segment, the **Mistral2** allows quick and easy headland turns, making manoeuvres smoother than ever. This reduces working time and operator fatigue while improving fuel economy.

Combining sleek and dynamic lines with advanced technical and functional features, the new **Mistral2** fully reflects the company's mission to offer innovation, productivity and comfort, while staying true to tradition.

Available in two models, the 2-055 and the 2-060, the **Mistral2** is a true champion of versatility that will handle all kinds of tasks and field conditions with ease and efficiency. Each model comes in two versions designed for different applications:

- STD version: ideal for field vegetable growing, narrow-row orchards and vineyards; also available with high-visibility cab.
- GE version: designed for vegetable growing under glass, low vineyards and orchards, and overhead trellis systems.

MISTRAL2 STD



• Width 1203 mm

MISTRAL2 GE



• Width 1260 mm



CAB

Perfect visibility and first-class comfort
page 6

HYDRAULIC SYSTEM

Highly versatile to meet your needs
page 16

ENGINE

Tuned for instant response
page 20

REAR HITCH

Powerful and efficient
page 17

AXLE

Champion of manoeuvrability
page 14

TRASMISSIONE

Rugged, perfect to suit every need
page 10

EFFICIENT

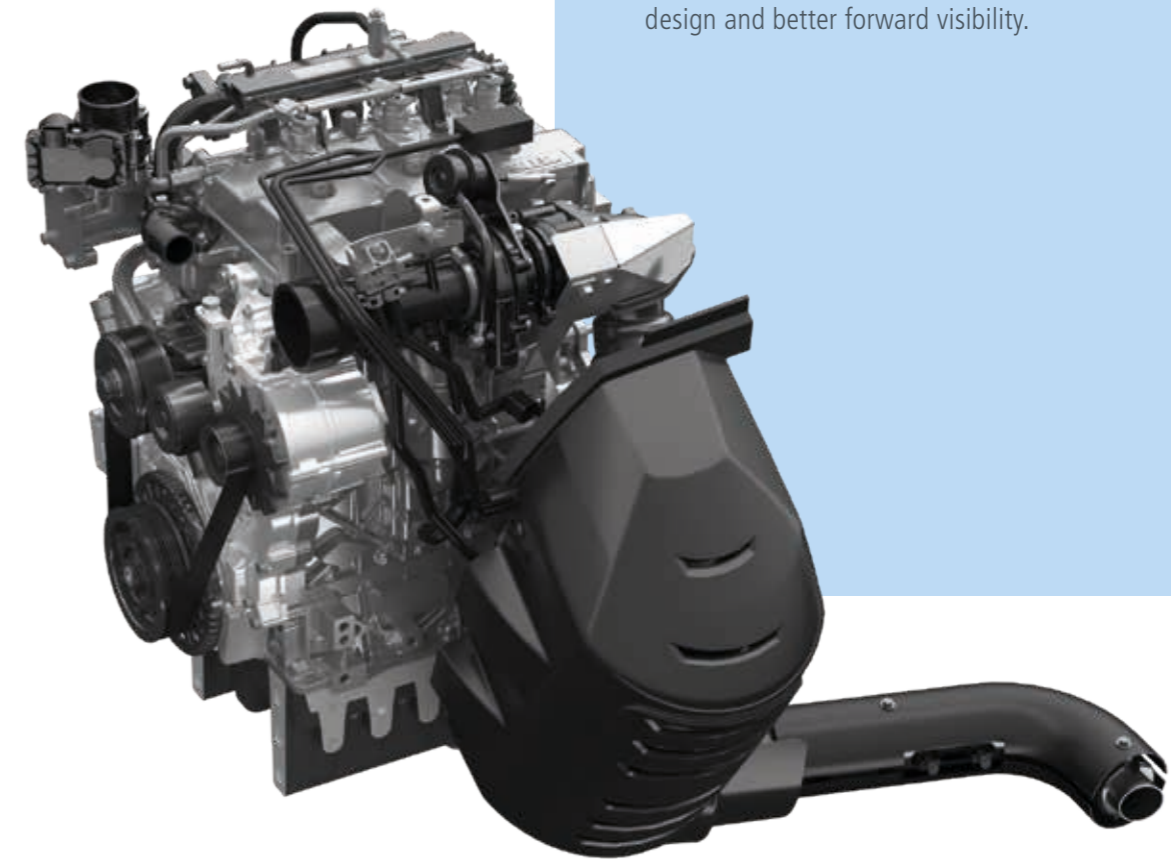


*My new **Mistral2**
always responds instantly...
and thanks to its compact size
I have great visibility in all
directions. And it's so
manoeuvrable!*

Paul

EGR/DOC/DPF SYSTEM TO MEET STAGE V EMISSIONS REGULATIONS

An innovative exhaust gas recirculation system (EGR) combined with a diesel oxidation catalyst (DOC) and a passive-regeneration diesel particulate filter (DPF) ensures full compliance with Stage V emissions requirements. The exhaust after-treatment system is installed in the lower part of the bonnet, out of the operator's visual field. This innovation has enabled Landini engineers to maintain the height of the bonnet from the ground, allowing for a more compact design and better forward visibility.



POWERFUL ECO-FRIENDLY ENGINE

The Mistral tractor range from Landini evolves in the pursuit of optimum performance and environmental sustainability. Powered by a Kohler KDI 1903 TCR three-cylinder turbo aftercooled engine that delivers 49 hp and 57 hp and meets Stage V emissions regulations, the **Mistral2** is the most powerful Mistral ever. The Kohler engine is equipped with common rail technology and delivers instant throttle response and high horsepower in any application. With a maximum torque of 180 Nm for the 2-055 and 200 Nm for the 2-060 and up to 37 percent torque backup, the **Mistral2** ensures reliable performance and efficiency in any situation.

The 40-litre fuel tank makes for long operating times between refuelling stops. Fuel efficiency is further enhanced with the Engine Memo switch which saves engine speed settings for quick retrieval later. This feature simplifies and speeds up work, reducing operator stress. The exhaust after-treatment system with diesel oxidation catalyst (DOC) and passive-regeneration diesel particulate filter (DPF) reduces downtime, maximizing efficiency and productivity.



HIGHLIGHTS

- The GE version has the lowest bonnet and steering wheel minimum height in its class, only 1130 mm from the ground: ideal for vegetable farming, low vineyards and orchards, tunnel cultivation and overhead trellis systems.
- Foldable ROPS version for low-clearance applications.
- Easily accessible and comfortable driving position with ergonomically-arranged controls.
- Maximum visibility to the front and rear.

FOLDABLE ROPS FOR COMFORT AND PRODUCTIVITY

The ROPS version of the **Mistral2** is designed to ensure optimal space distribution while offering a perfect blend of style and functionality. The tractor's low profile with sleek, dynamic lines allow the **Mistral2** to move nimbly under low-hanging branches and between narrow rows. The driving position is spacious, comfortable and safe, and ensures exceptional all-round visibility. Combining a compact size with well thought-out ergonomics and powerful performance, the **Mistral2** knows how to increase your productivity.



LOW PROFILE, HIGH RESULTS

The **Mistral2** is designed with painstaking attention to detail in order to maximize operator comfort and productivity. The foldable two-post ROPS makes for easy operation in low-clearance environments. The GE version also boasts a minimum bonnet height of only 1130 mm from the ground,

100 mm less than on the STD version, the lowest in this tractor segment. In addition, the steering wheel is lower than the bonnet to enable the driver to maintain a firm grip when passing under low-hanging branches.



FOLDABLE ROPS FOR COMFORT AND PRODUCTIVITY

The ROPS version of the **Mistral2** is designed to ensure optimal space distribution while offering a perfect blend of comfort and functionality. The tractor's low profile with sleek, dynamic lines allow the **Mistral2** to move nimbly under low-hanging branches and between narrow rows. The driving position is spacious, comfortable and safe, and ensures exceptional all-round visibility. Combining a compact size with well thought-out ergonomics and powerful performance, the **Mistral2** knows how to increase your productivity.





*Now that I've tried it,
I can say for sure that the
Mistral2 is small outside but
big and comfortable inside...
Seated behind the wheel, I have
everything under control. I can
do more work faster and
with less fatigue!*

Davide

HIGH-VISIBILITY CAB FOR MORE COMFORT AND PRODUCTIVITY

Farmers spend long hours on tractors, so a comfortable working environment can make all the difference in terms of operator fatigue and efficiency. Featuring an automotive-grade fit and finish, the cab of the **Mistral2** offers a comfortable and safe working environment in all weathers and conditions.

The four-post design with rear-hinged doors provides ease of access to the driving position and offers unequalled all-round visibility. Inside the cab everything is well thought out and designed: the driving position is fully adjustable, the steering column can be tilted to suit the driver's needs, all control levers and pedals are ergonomically positioned and the digital instrument panel keeps the operator constantly informed on the tractor performance. The cab of the **Mistral2** is FOPS certified to protect operator from branches, stones and other falling objects, making it ideal for forestry applications and for use on rocky terrain.

COMFORTABLE

HIGHLIGHTS

- Large, rear-hinged doors for ease of access to the cab.
- Spacious driving position, adjustable steering wheel, ergonomic controls and automotive-grade fit and finish for ultimate comfort.
- Four-post cab design for unequalled all-round visibility.
- Opening front and rear windscreens.



TAPERED WINDSCREEN FOR IMPROVED VISIBILITY

The front windscreen of the cab tapers at the top improving forward visibility in low-clearance situations, so the operator can remain seated in the ideal working position without the need to lean out of the seat. Both the front and rear windscreens can be opened for optimum ventilation. All these features reduce operator fatigue and enhance ride comfort, thereby improving work quality and efficiency.

OPTIMAL TEMPERATURE ALL YEAR ROUND

Integrated into the cab ceiling, an efficient climate control system maintains the desired cab temperature whatever the outdoor weather conditions. The climate controls are conveniently located in the overhead control panel within easy reach of the operator.

FRONT AND REAR CAB LIGHTS

To ensure safe operation at night or in low light conditions, the cab of the **Mistral2** features two front work lights integrated into the tractor chassis and two swivel work lights at the rear of the vehicle.





RUGGED



SPEED FOUR TRANSMISSION, ALL THE STRENGTH OF A GREAT CLASSIC

Only true classics can stand the test of time. The Speed Four transmission, entirely designed and constructed in Italy by Landini, is one of the strong points of the **Mistral2**. Rugged, efficient and versatile, the Speed Four transmission is designed to ensure that the operator has always the right speed for every application. The Speed Four transmission offers four synchronized gears and up to four ranges and allows a maximum speed of 30 km/h. The transmission can be optionally equipped with a creeper that provides 16 forward and 16 reverse gears with speeds as low as 220 m/h at maximum engine rpm. The Speed Four transmission features a steering-column synchro shuttle that allows the operator to quickly shift from forward to reverse without taking the eyes off the road.



MAXIMUM STRENGTH, MINIMUM SOIL COMPACTION

With the ROPS version weighing only 1600 kg, the **Mistral2** combines great strength with extreme lightness. Thanks to these features, the **Mistral2** minimizes soil compaction while maintaining an overall carrying capacity of 3050 kg.

POWER TAKE-OFF

The rear PTO comes with a choice of two speeds: 540 and 540E rpm. The **Mistral2** also features a ground speed PTO as standard.



SYNCHRO SHUTTLE

The **Mistral2** offers standard a synchro shuttle that enables the operator to automatically shift from forward to reverse by simply operating the shuttle control lever adjacent to the steering wheel.

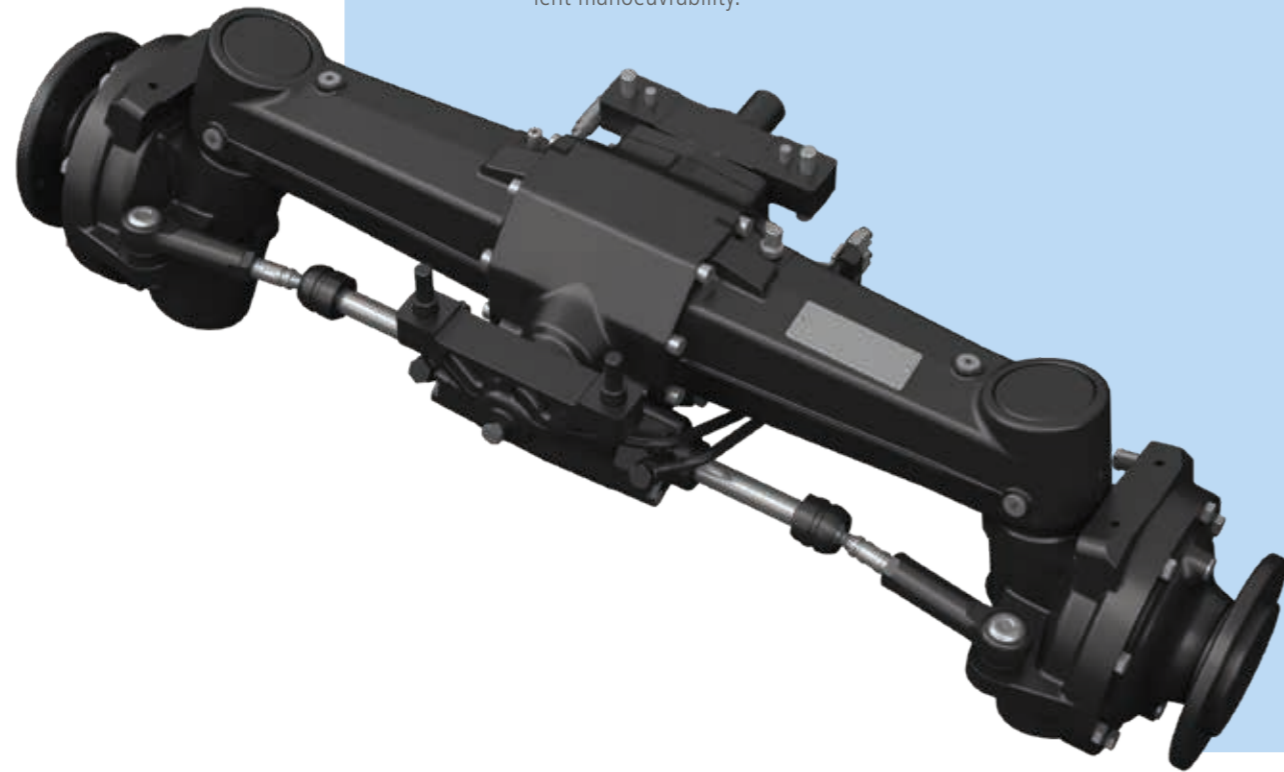


MECHANICALLY-OPERATED PTO WITH MODULATED ENGAGEMENT FOR MORE COMFORT

A lever located in front of the operator enables smooth and modulated engagement of the PTO, ensuring a soft start-up of the implement.

EXCELLENT MANOEUVRABILITY

With a 55-degree steering angle, a wheelbase of only 1790 mm and a reduced front overhang, the **Mistral2** ensures maximum visibility and excellent manoeuvrability.



FRONT HITCH AND PTO FOR MAXIMUM VERSATILITY

A front hitch and PTO are available as an option to add greater versatility to the **Mistral2** tractor range. The Category 1N front hitch is equipped with quick couplers and offers a lifting capacity of up to 400 kg. The front PTO provides a speed of 1000 rpm.

*My **Mistral2** is a small but strong tractor, because it puts all the horsepower to the ground and never loses traction. So I can do all kinds of jobs with it: row-crop work, pulling, heavy-duty tasks...just about everything!*

Thomas

HYDRALOCK FRONT AXLE FOR UNMATCHED VERSATILITY

Developed and manufactured at Landini's facility according to the highest quality standards, the Hydralock rigid front axle ensures unmatched versatility and optimal maneuverability. The Hydralock front axle dedicated to the GE version is 101 mm lower than on the STD version, making it ideal for operations in height-restricted conditions. The Hydralock is equipped with an electrohydraulic differential lock that maximizes traction on all four wheels reducing wheel slip and ensuring safe and efficient all-wheel braking in any situation.

ELECTROHYDRAULIC DIFFERENTIAL LOCKS FOR EXCELLENT TRACTION

The combined front and rear differential locks and the mechanical four-wheel drive engagement ensure outstanding traction even in the toughest ground conditions.





EFFICIENT HYDRAULIC SYSTEM TO SUIT EACH AND EVERY NEED

The hydraulic system of the **Mistral2** is designed and tailored to meet the specific needs of orchard and vineyard crops, vegetable growing, greenhouse farming and municipalities. The system features a dual pump that supplies 35 l/min to the rear hitch and remote valves and 20 l/min to the steering system for maximum ride comfort. Designed with versatility in mind, the hydraulic system of the **Mistral2** can be equipped with up to three remote valves: two standard and one with float facility.

STRONG AND EFFICIENT REAR HITCH

The strong rear hitch with position and draft sensing on the three-point linkage is mechanically operated and provides a maximum lift capacity of 1200 kg. The lower links can be optionally equipped with quick couplers to make it easier to attach and detach implements and with a mechanically-adjustable top link for greater versatility and ease of operation.



LANDINI FLEET MANAGEMENT

As a company traditionally committed to innovation, Landini equips all its tractors with remote management and diagnostic capability. Designed to reduce operating costs while increasing efficiency and productivity, the Landini Fleet Management telematic system performs the following functions:

- 1. Fleet monitoring:** the system displays the exact real-time location of each tractor in a fleet and monitors its efficiency by checking parameters like speed, engine performance, average consumption and work progress.
- 2. Data analysis:** the system calculates the efficiency and productivity of each tractor enabling farmers to monitor their profits.
- 3. Storage of working data:** the system eliminates errors and wastes of time and resources in order to maximize efficiency.

As a customer-driven company, Landini is constantly committed to meeting farmers' needs by offering more safety, comfort and productivity.

AGRICULTURE 4.0



QUICK MAINTENANCE TO GET YOU BACK UP AND RUNNING IN NO TIME

Intuitive and simple, the under bonnet layout of the **Mistral2** offers a variety of solutions that simplify and speed up maintenance operations.

1. The tilt-up bonnet opens wide to provide easy access to the engine compartment for maintenance and service checks.
2. The oil filler cap is placed in the lower part of the engine, so topping up of engine oil can be done without opening the bonnet.
3. The engine air filter is located in an easily accessible position for cleaning and replacement.
4. The cooling radiators, mounted in front of the engine, and the laterally-removable dust cover allow for easy, fast and accurate cleaning.
5. The fuel tank is conveniently placed between the bonnet and the driving position to allow for easy and quick filling.
6. The air filters, fitted on either side of the cab roof, are protected by quick-release grills and easily accessible for maintenance.
7. The oil level in the transmission can be conveniently checked through the oil filler cap with level gauge located at the rear of the tractor.





LANDINI PARTS AND SERVICE TO GIVE YOU THE BEST ALWAYS

The Landini brand has always stood out for the quality and reliability of its parts and after-sales service. Developed by the same engineers who design and manufacture the tractors, original Landini parts are manufactured to the highest quality standards to ensure reliable and safe performance over time.

The strong points of Landini original spare parts are the following:

- Spare parts are always shipped within 24 hours of order receipt.
- Each part comes with a 12-month warranty and is marked with a tamper-proof hologram that certifies the product's quality and originality.
- Original Landini parts are reliable and convenient, as they improve the working quality and efficiency of your tractor.

The after-sales service is handled by our dealers through a team of highly-skilled, solution-oriented technicians who avail themselves of the latest diagnostic techniques. Choosing Landini means choosing excellence.





TRADITION

LANDINI, A LONG HISTORY OF SUCCESS

Giovanni Landini had a dream: to change forever the history of farming by bringing the power of machines to the fields. He pursued this goal with great determination and in 1884 he finally realized his dream by setting up the Landini tractor factory. Landini's long history is marked by continued innovation in design and production processes and by a strong commitment to customers. Innovation, simplicity and reliability, the core values that have driven the company since its inception, are perfectly embodied in the Landini specialty tractor range. In 1982, Landini began producing its first orchard specialty tractors. In 1986, the company extended its line of specialty tractors with the addition of a vineyard tractor range. In 1994, Landini was acquired by the Argo Industrial Group. The acquisition enabled the company to expand its international presence by creating a worldwide network of subsidiaries and distributors. Making farm work less tiring and more productive was Giovanni Landini's dream. That dream is still alive today where our quality of life greatly depends on the quality of our agricultural products.

TECHNICAL DATA

	MISTRAL 2-055 STD	MISTRAL 2-060 STD	MISTRAL 2-055 GE	MISTRAL 2-060 GE
ENGINE				
Manufacturer	Kohler			
Engine type	KDI 1903 TCR			
Max power (ISO)	hp/kW	49 / 36	57 / 42	49 / 36 57 / 42
Engine speed at max power	rpm	2600		
Max torque	Nm	180	200	180 200
Engine speed at max torque	rpm	1200		
Cylinders / Valves - Displacement	cm ³	3 / 12 - 1900		
Emissions category	Stage V			
Exhaust after-treatment system	EGR + DOC + DPF			
Air intake system	turbo aftercooler			
Fuel injection system	common rail direct injection			
Cooling system	liquid			
Engine Memo Switch	●			
CAPACITIES				
Fuel tank	l	40		
TRANSMISSION				
Transmission type	mechanical			
Clutch type	mechanical			
No. of gears - FWD+REV	● 12+12 - ○ 16+16 w/creeper			
Minimum speed	m/h	● 770 - ○ 220 (w/creeper)		
Engine speed at 30 km/h	rpm	2600		
REAR PTO				
Type	mechanical dry clutch			
Speeds	rpm	● 540/540E w/ground speed		
FRONT AXLE				
Axle type	rigid 4WD			
Front differential lock	● Hydralock			
BRAKING SYSTEM				
Rear braking system	● mechanical wet multi-disc brakes			
HYDRAULIC SYSTEM				
Hydraulic circuit type - Pump type	open center - twin pump			
Flow rate - rear hitch & remotes + steering	l/min	35+20		
Rear remote valves	● 2 std - ○ 2 std + 1 w/float position			
REAR 3-POINT HYDRAULIC HITCH				
Rear hitch control	mechanical with position and draft control			
Category - Hitch type	● Cat. 1 w/fixd ball ends - ○ Cat. 2 w/quick-hitch hooks Cat. 1/Cat. 2 & mechanical top link			
Max lifting capacity at hitch points	kg	1200		
FRONT 3-POINT HYDRAULIC HITCH				
Front hitch type	○ mechanical Cat. 1N			
Max lifting capacity at hitch points	kg	400		
FRONT PTO				
Type	○ mechanical			
Speeds	rpm	○ 1000		

CAB AND DRIVING POSITION		
Cab type	● 4-post FOPS w/opening front window	-
Air conditioning	○ manual A/C	-
Cab air filter - Filtration category	dust filter - Cat.2	-
Radio system	● radio ready ○ radio and sound system	-
Fleet Management	mm	○ ready / 3-year subscription / 5-year subscription
DIMENSIONS AND WEIGHTS		
Wheelbase	mm	1790 1770
Height over ROPS min - max	mm	2124 - 2199 2030 - 2105
Height over cab min - max	mm	2205 - 2280 -
Height over bonnet min - max	mm	1230 - 1305 1131 - 1206
Length w/front weights min - max	mm	3168 - 3504 3168 - 3504
Overall width min - max	mm	1203 - 1638 1260 - 1615
Shipping weight ROPS/cab	kg	1600 / 1780 1580 / -
Gross vehicle weight	kg	3050 3050
Rear tyre size (Index Radius - IR) min - max	mm	320/70R20 (475) - 360/70R24 (550)
Front weights	kg	○ 4x24

Key: ● standard ○ option



Landini®

Passion for Innovation.

